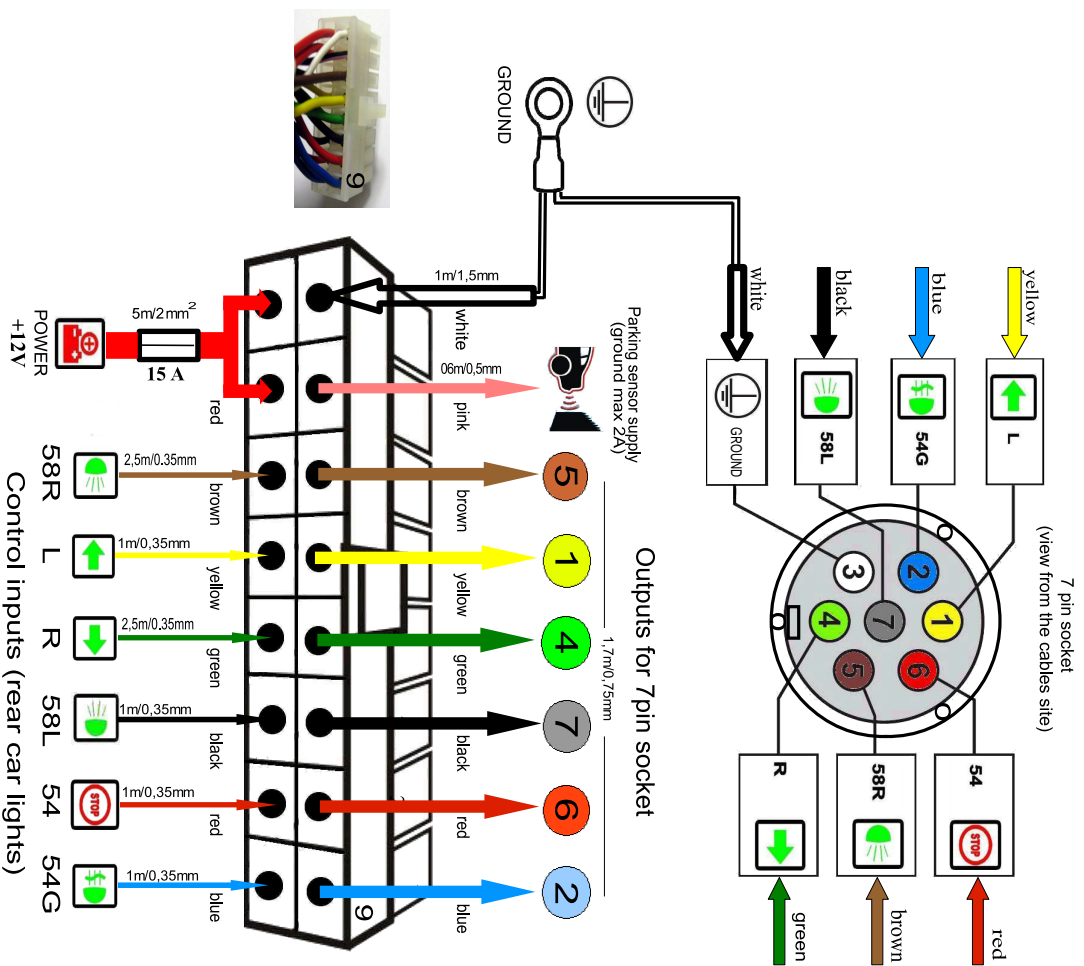


Wiring diagram installation for module Lights Sender 1



Module specifications:	
power:	12V / ±30% (quiescent current max 1mA)
current consumption of inputs the module:	1mA
output current:	10 A

View of the set:



WARRANTY OF MODULE

LIGHTS SENDER 1



www.micromel.pl

- The warranty is granted for a period of 60 months dating from the date of assembly
- Assembly and repair works should be performed in specialized assembly workshops
- All repairs are carried out free of charge during the warranty period
- Post-warranty repairs will be realized within 14 working days from the date of equipment's delivery to the company's headquarters
- The warranty does not cover:
 - damages caused by the device's defective installation on the vehicle
 - damages resulting from the overvoltage supplied
 - damage due to misuse
 - devices which underwent modification
- Incorrectly filled warranty book is invalid and results in loss of warranty
- The purchaser should refer to the basic terms of the warranty

Vehicle's owner:	Device type
Address:	Date of installation :
	STAMPS:
Make of the vehicle:	
VIN no.:	
Registration No	
Legible signature:	
Warranty repair/Repair date:	
Damage's description:	
Warranty repair/Repair date:	
Damage's description:	
Warranty repair/Repair date:	
Damage's description:	

Installation & operating instructions for trailer lights controlling module

Lights Sender 1

Electronic module type: „Lights Sender 1”, is designed for electrical installation 12V, for connect the 7pin socket installation, for hook installation in cars, which have, computers lighting control, designed to:

- power and diagnostics bulbs in lamps,
- for control LEDs lamps,
- PWM (monofilaments bulbs, the implementation of the function:
 - STOP / POSITION, POSITION / FOG).

The module is characterized, low current for inputs (1mA), which is not detection by the computer vehicle. The module, off loads the lighting of the vehicle and protect the computer from damage (which can occur, as a result of direct connect circuit of trailer lighting).

The module performs the function of handling parking sensors. When the trailer is disconnected, the module gives ground (max 2A – pink wire), she must power the system parking sensors, and by connecting the trailer, this ground for sensors parking is disconnected.

